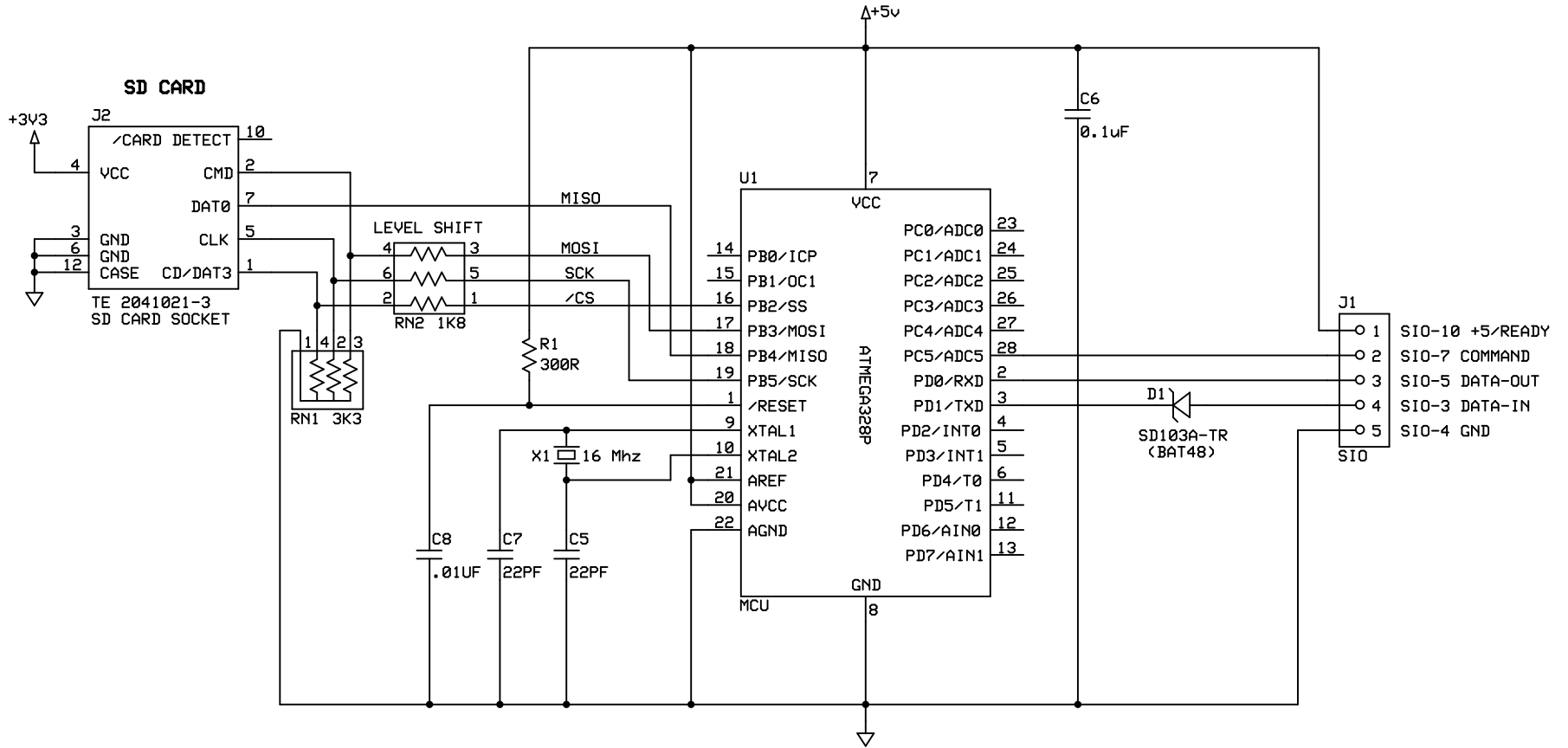
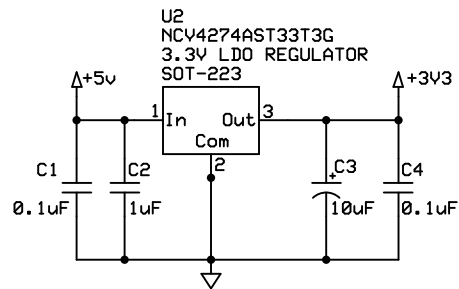


ATMEGA328P FLASHED WITH  
SDrive-MAX V1.3 FIRMWARE



### 3.3 VDC POWER SUPPLY



<b>SDrive-Simple-II</b>		
<b>An AtariBits Production</b>		
Michael St. Pierre	Rev 1.0 03/08/2022	Page # 1 of 2

