

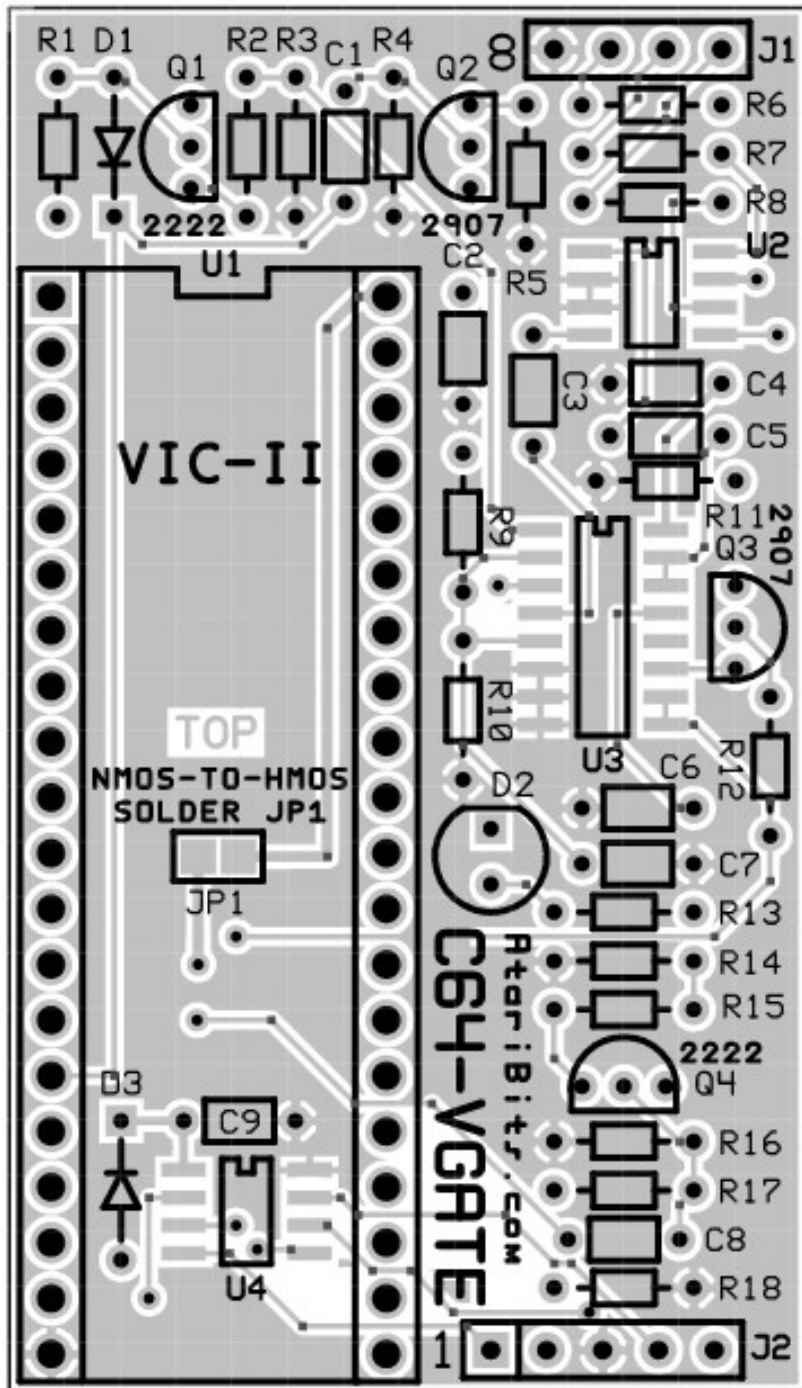
C64-VGATE (MAIN)

VIC-II Gated Video Board

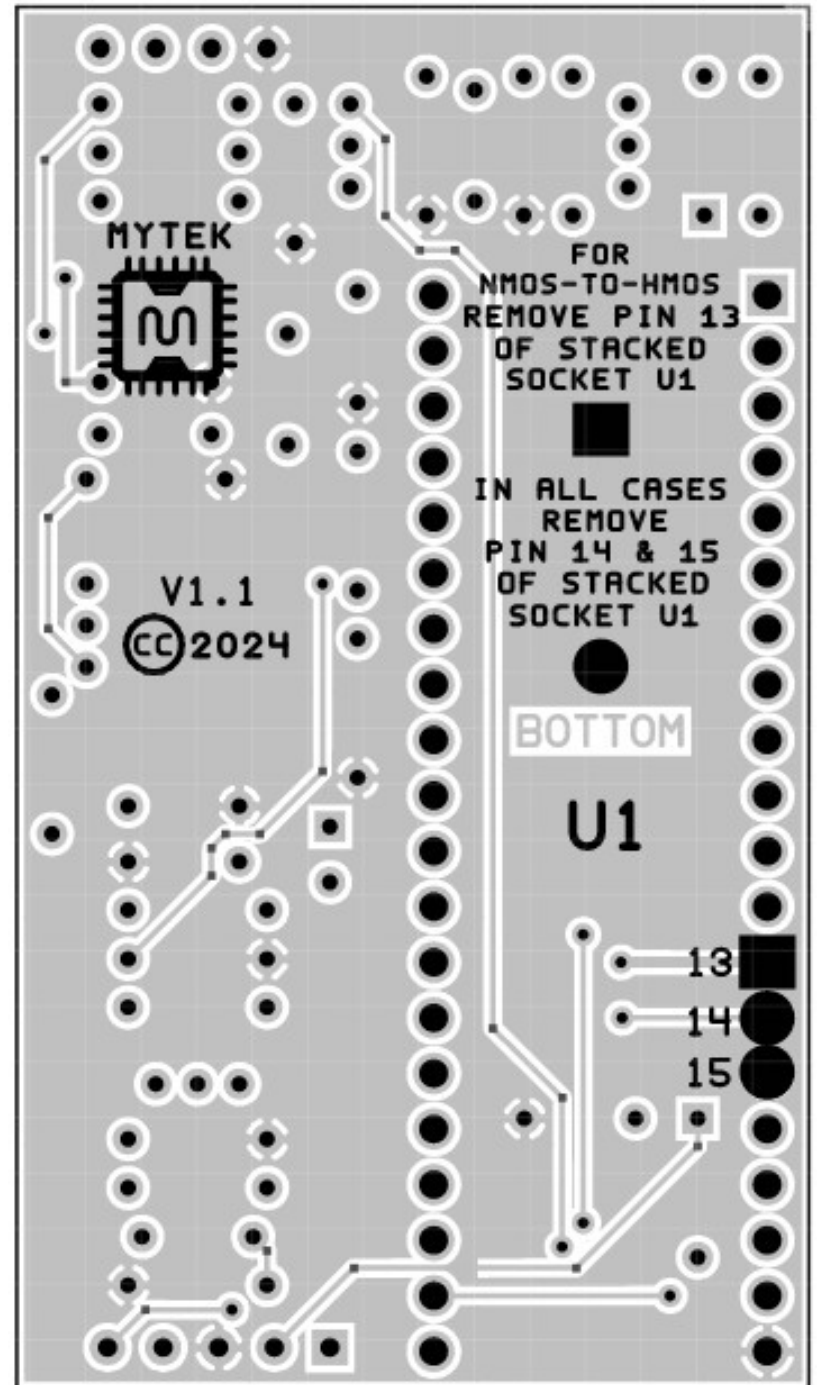
AtariAge:MyTek

Rev 1.1
3/04/2024

Page 1 of 3

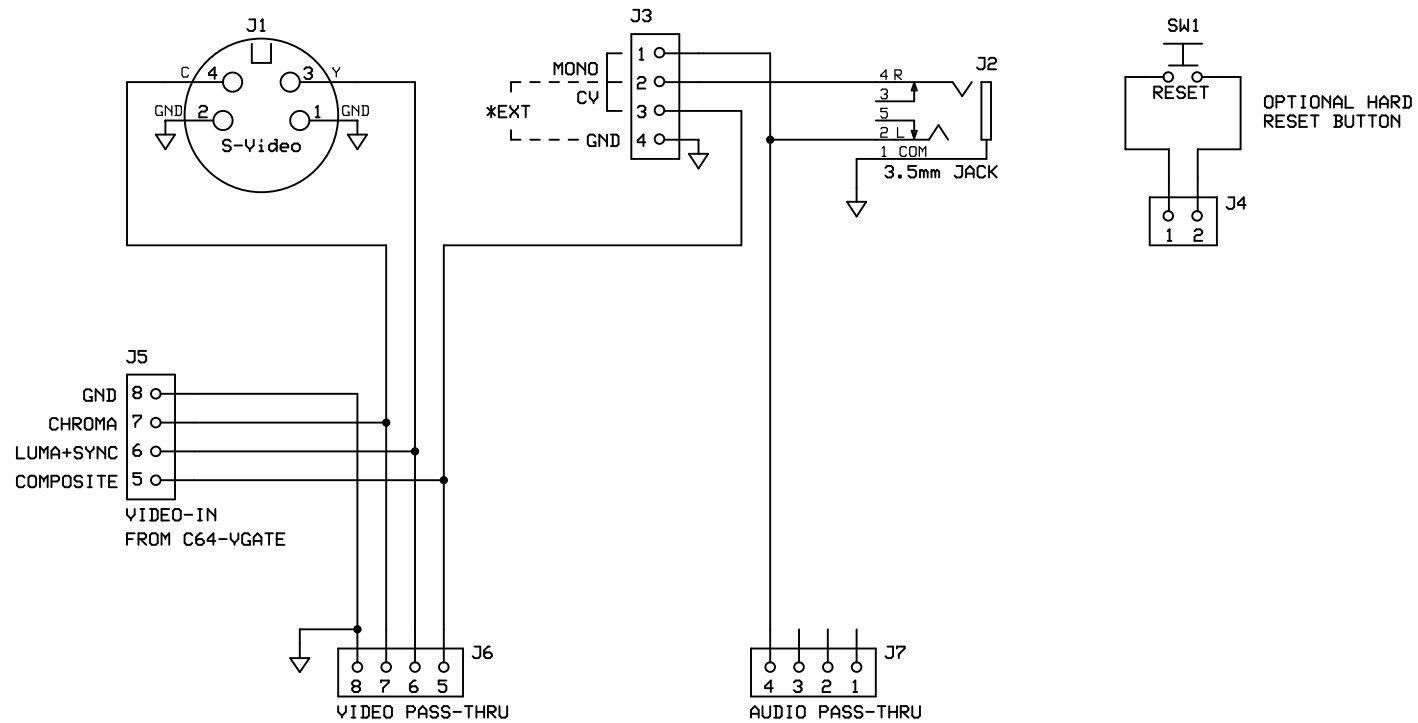


C64-VGATE PCB (MAIN) TOP SIDE



C64-VGATE PCB (MAIN) BOTTOM SIDE

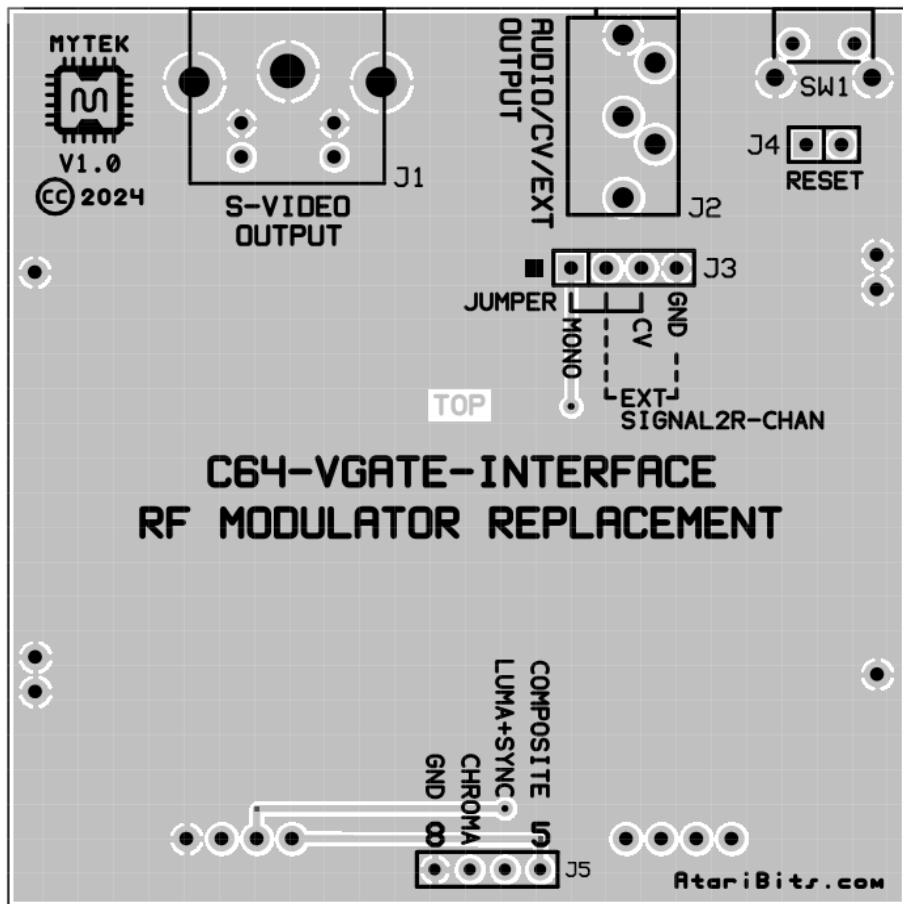
MONO JUMPER = LEFT AUDIO AT BOTH LEFT & RIGHT CHANNEL 3.5mm JACK OUTPUTS
 CV JUMPER = COMPOSITE VIDEO ON RIGHT CHANNEL 3.5mm JACK OUTPUT
 NO JUMPER = EXTERNAL CONNECTION TO RIGHT CHANNEL 3.5mm JACK OUTPUT



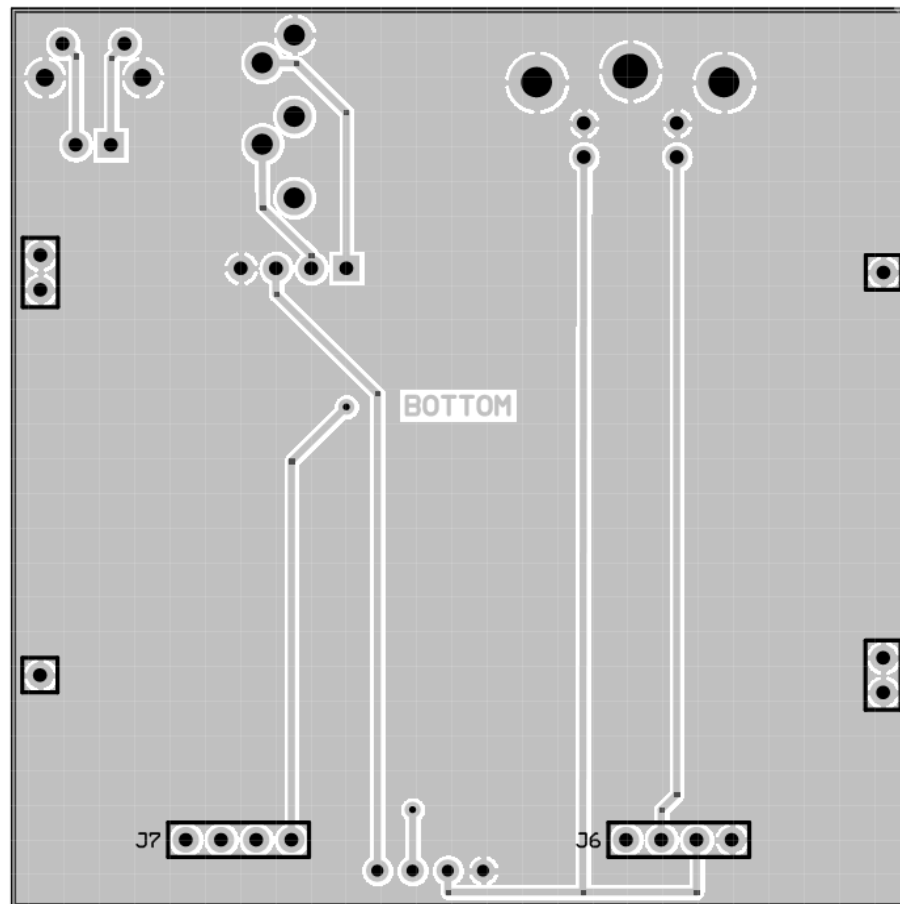
*EXT can be used for either Right Channel SID or Luma Code external connection.

| | | |
|---------------------------------|----------------------|-------------|
| C64-VGATE (INTERFACE) | | |
| VIC-II Gated Video Board | | |
| AtariAge:MyTek | Rev 1.0 3/04/2024 | Page 2 of 3 |

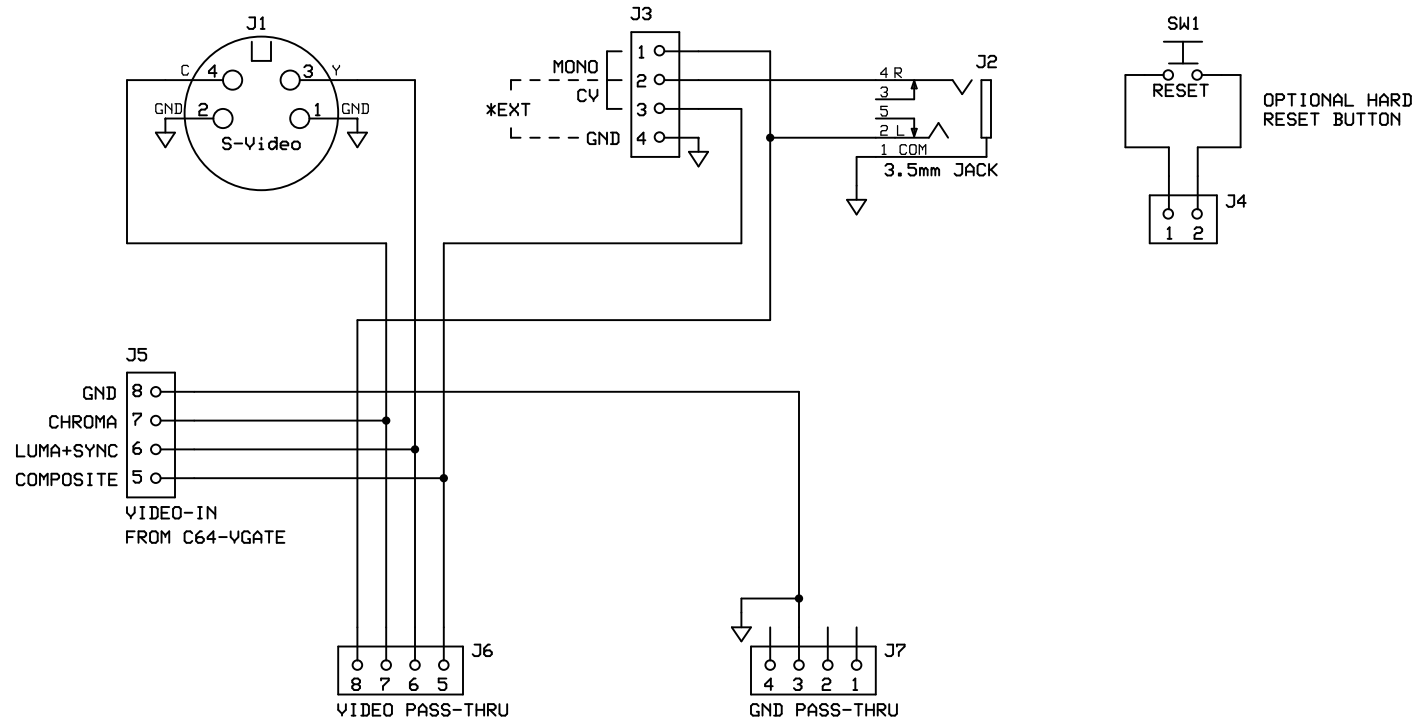
C64-VGATE PCB (INTFC) TOP SIDE



C64-VGATE PCB (INTFC) BOTTOM SIDE



MONO JUMPER = LEFT AUDIO AT BOTH LEFT & RIGHT CHANNEL 3.5mm JACK OUTPUTS
 CV JUMPER = COMPOSITE VIDEO ON RIGHT CHANNEL 3.5mm JACK OUTPUT
 NO JUMPER = EXTERNAL CONNECTION TO RIGHT CHANNEL 3.5mm JACK OUTPUT



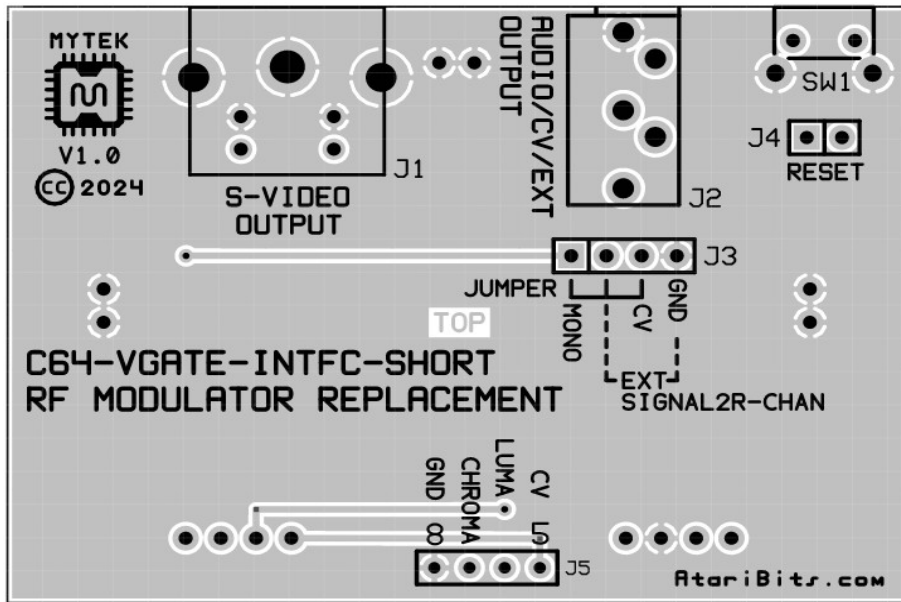
*EXT can be used for either Right Channel SID or Luma Code external connection.

| | | |
|--------------------------------------|----------------------|-------------|
| C64-VGATE <INTFC-SHORT> | | |
| VIC-II Gated Video Board | | |
| AtariAge:MyTek | Rev 1.0 3/04/2024 | Page 3 of 3 |

C64-VGATE PCB (INTFC) TOP SIDE

FOR SHORT BOARD

MOTHERBOARD



C64-VGATE PCB (INTFC) BOTTOM SIDE

FOR SHORT BOARD

MOTHERBOARD

