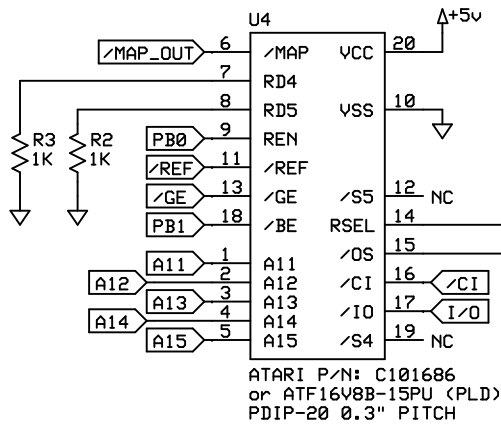
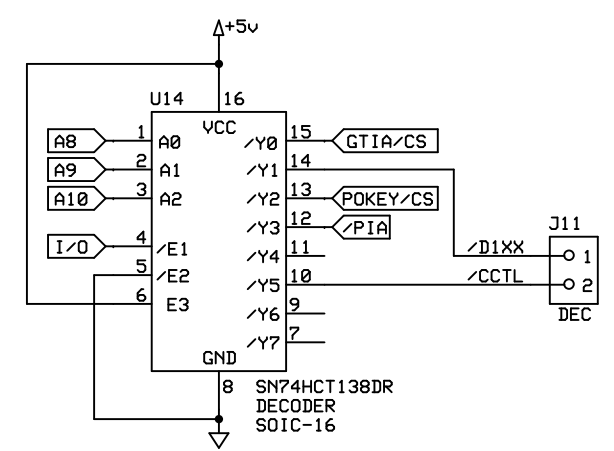
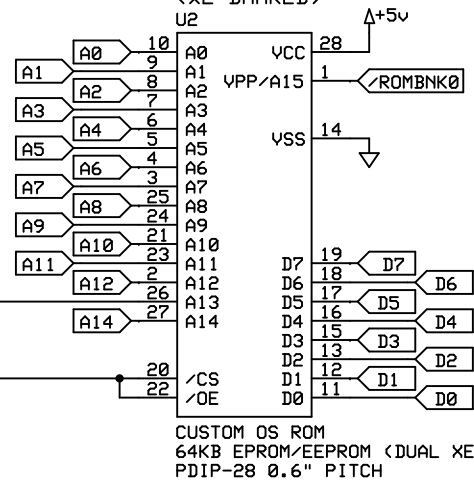


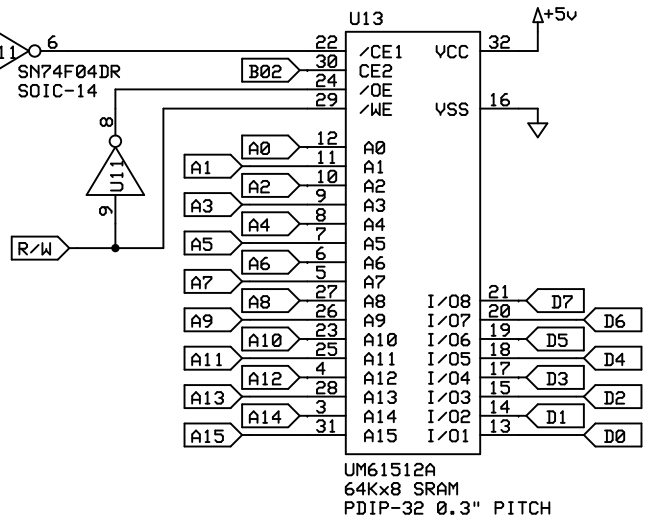
STOCK XEGS MMU CONFIGURATION



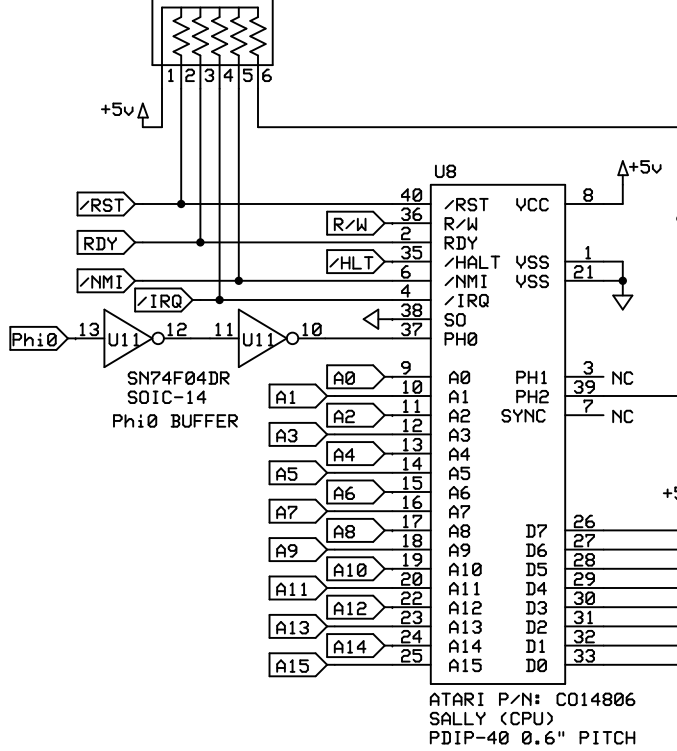
XEGS ROM CONFIGURATION (x2-BANKED)



64KB BASE RAM



4606X-101-332LF



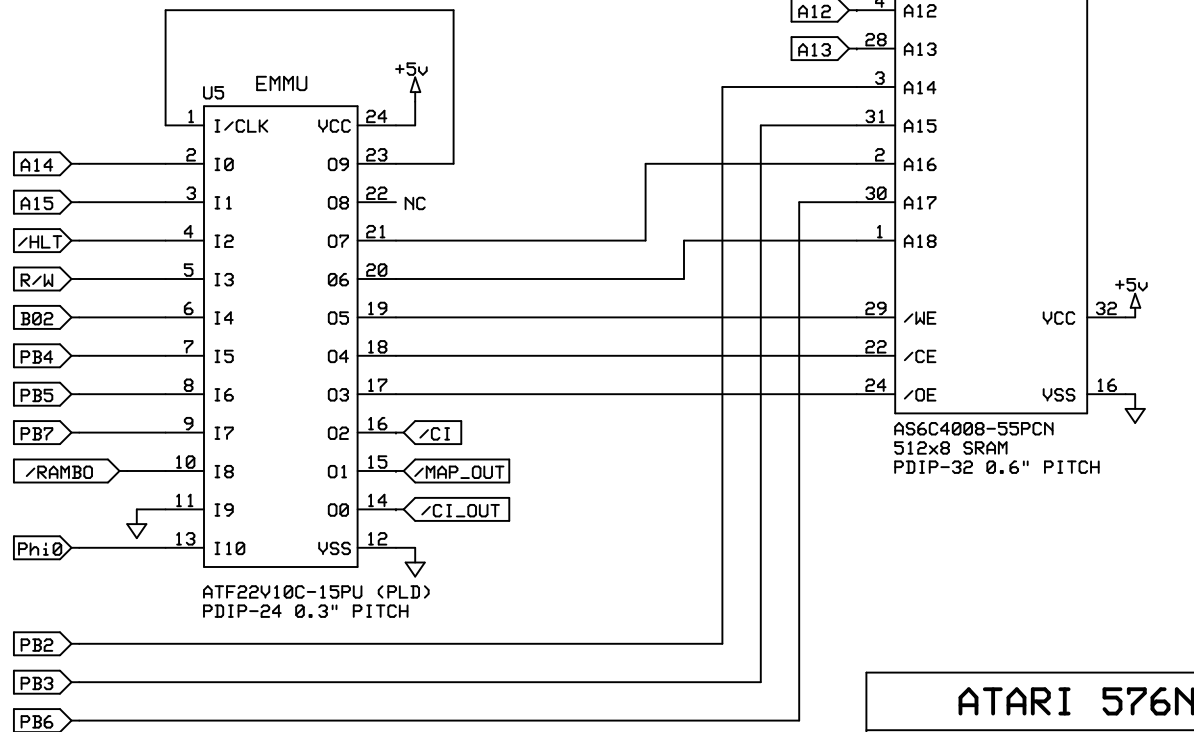
ATARI 576NUC+ CONSOLE

An AtariBits Production

NOTE: THE 576NUC+ BASE DESIGN BEGAN LIFE AS A VARIANT OF THE ATARI XEGS - ALBEIT GREATLY ENHANCED. DUE TO ITS XEGS HERITAGE, A STOCK XEGS MMU AND OS ROM CAN BE USED, BUT WITH REDUCED CAPABILITY. IF THE 64x8 SRAM & VGATE CHIP ARE SOCKETED, STACKED SOCKETS WILL BE REQUIRED FOR U8 & U10. SYSTEM CLOCK ABBREVIATIONS: PH0=Phi0, PH1=Phi1, PH2=Phi2, B02=BUFFERED Phi2

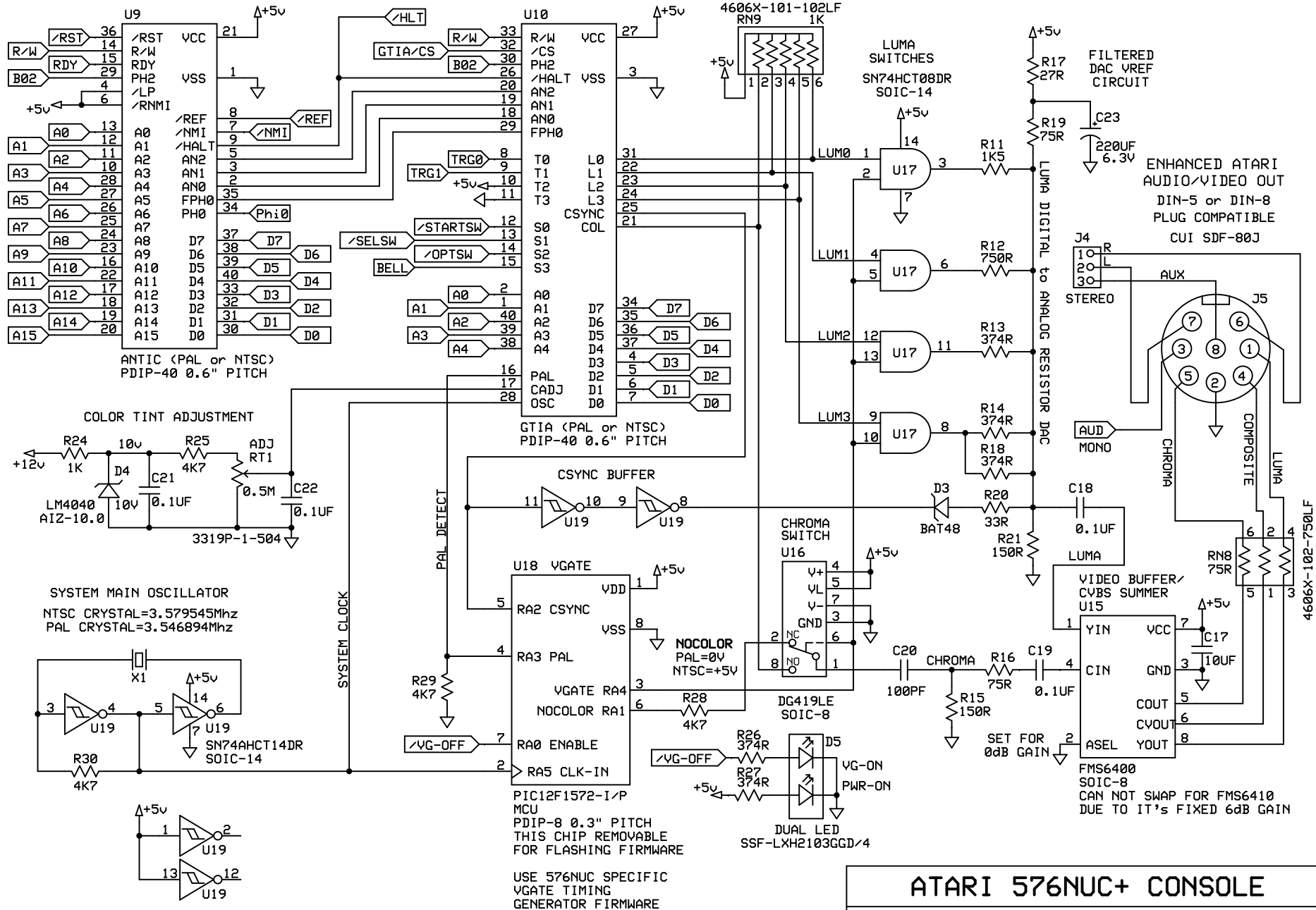
Michael St.Pierre	VERSION 1.2	CPU/MEMORY
	May 30th 2021	

ORIGINALLY BASED ON:
 HiassofT's 512K SRAM Extension
www.horus.com/~hias/atari/
 Modified for 100% RAMBO Banking by Jurgen
www.van-radecke.de/STUFF/tfhh_HW_info.pdf



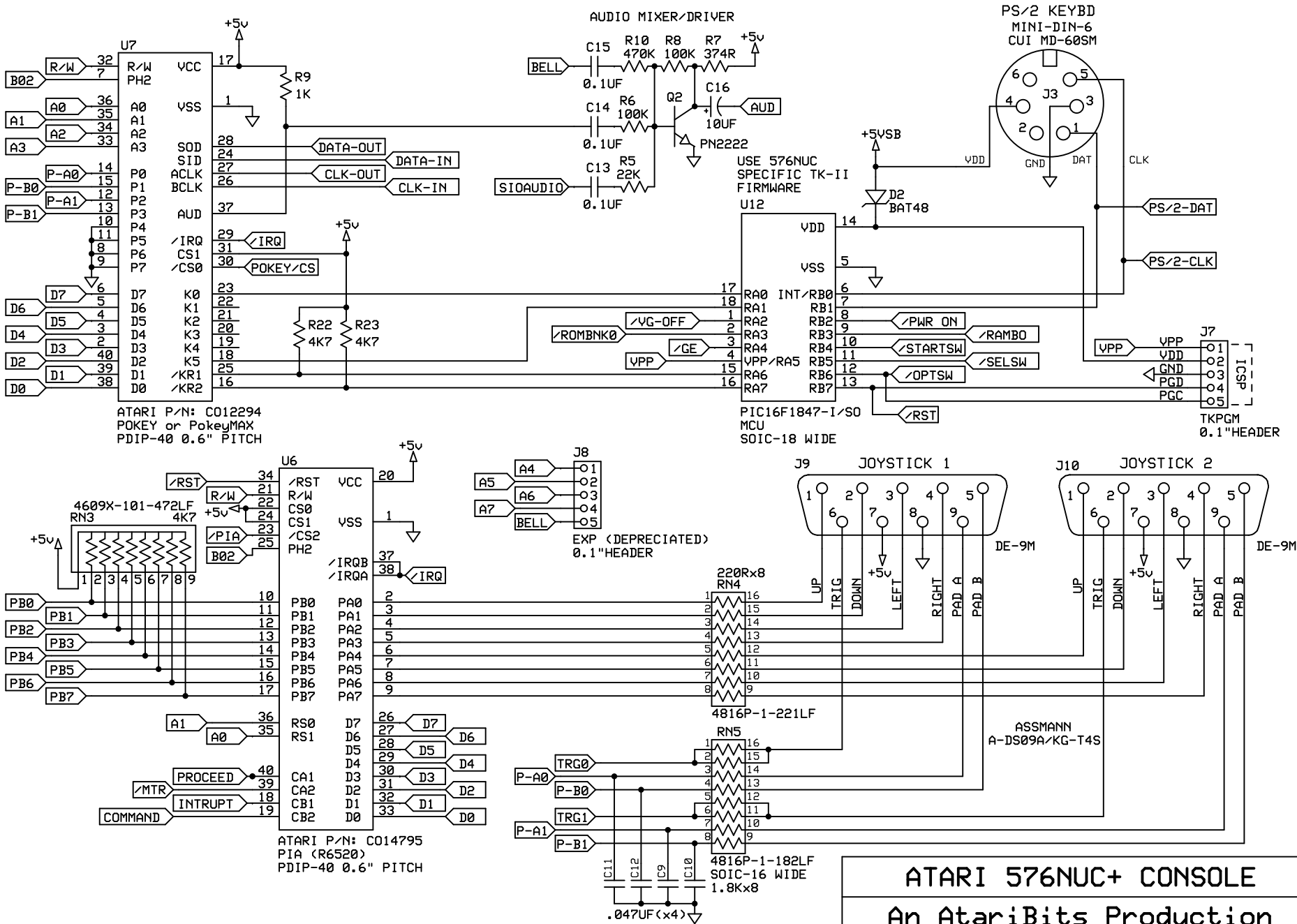
/RAMBO LOW = 512KB RAMBO (+64KB BASE RAM = 576KB TOTAL)
 /RAMBO HIGH = 256KB COMPYSHOP (+64KB BASE RAM = 320KB TOTAL)
 COMPYSHOP USES INDEPENDENT ANTIC/CPU ACCESS

ATARI 576NUC+ CONSOLE		
An AtariBits Production		
Michael St.Pierre	VERSION 1.2	EXTENDED RAM
	May 30th 2021	



NOTE: FOR COLOR PAL OPERATION THE "PALBURST" COLOR BURST OSCILLATOR BOARD IS REQUIRED.
HOWEVER IF SOPHIA2 GTIA VIDEO BOARD IS INSTALLED, THE "PALBURST" BOARD WILL NOT BE NEEDED.

ATARI 576NUC+ CONSOLE		
An AtariBits Production		
Michael St.Pierre	VERSION 1.2 JUNE 30th 2021	VIDEO

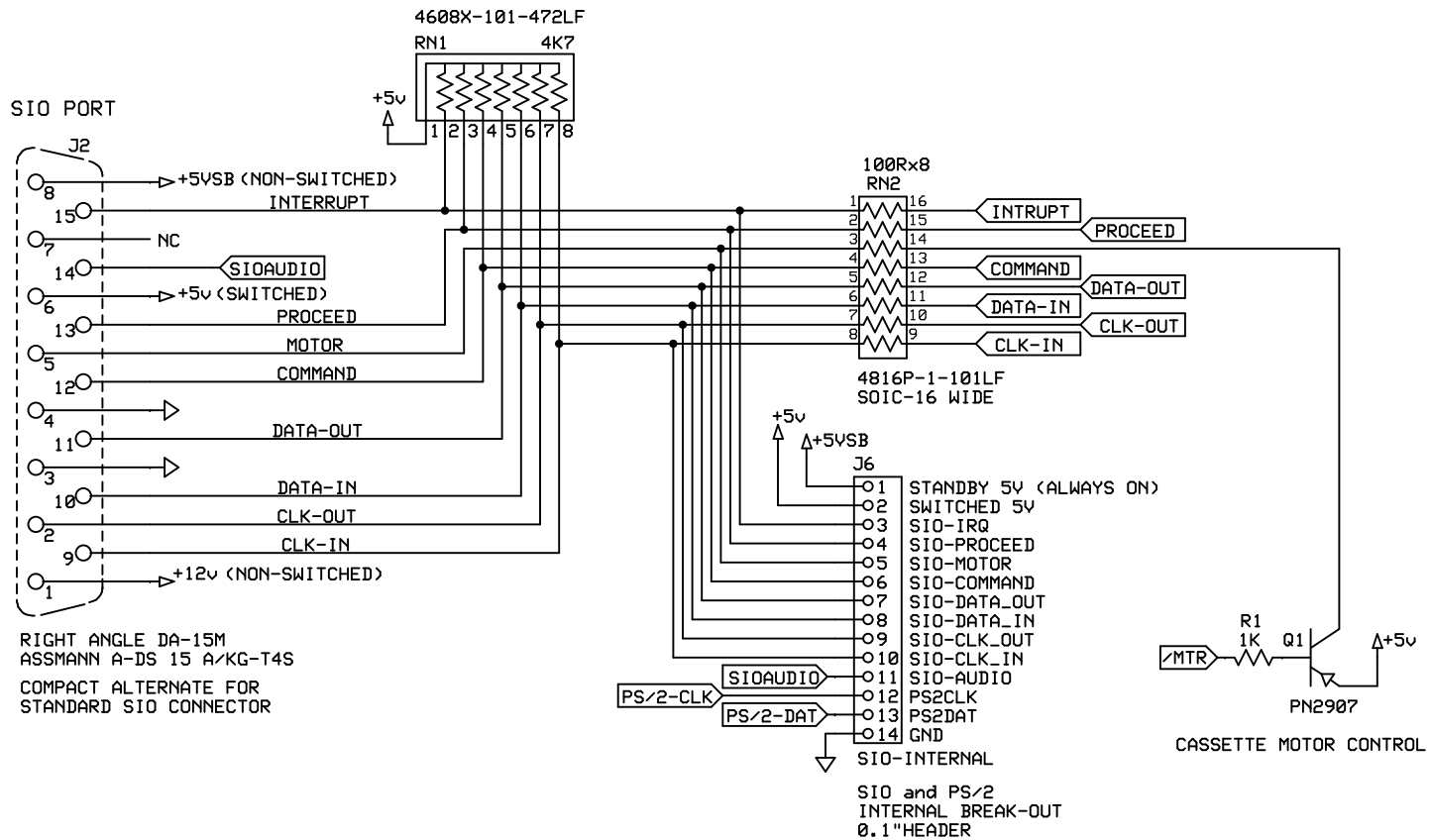


ATARI 576NUC+ CONSOLE

An AtariBits Production

NOTE: THE TK-II CHIP IS ACTING AS THE SYSTEM CONTROLLER AND ALSO PROVIDES ALL RESET SERVICES.
HEADER J8 WAS ORIGINALLY INTENDED FOR POKEYMAX SUPPORT, BUT HAS BEEN DEPRECATED AND NOT REQUIRED.

Michael St.Pierre	VERSION 1.2	I/O
	May 30th 2021	



NOTE: THE PRIMARY FOCUS OF THE INTERNAL SIO HEADER IS TO SUPPORT A FUJINET EXPANSION BOARD.
PS/2 SERIAL COM SIGNALS HAVE ALSO BEEN BROKEN OUT FOR ALTERNATIVE POSSIBILITIES.

ATARI 576NUC+ CONSOLE

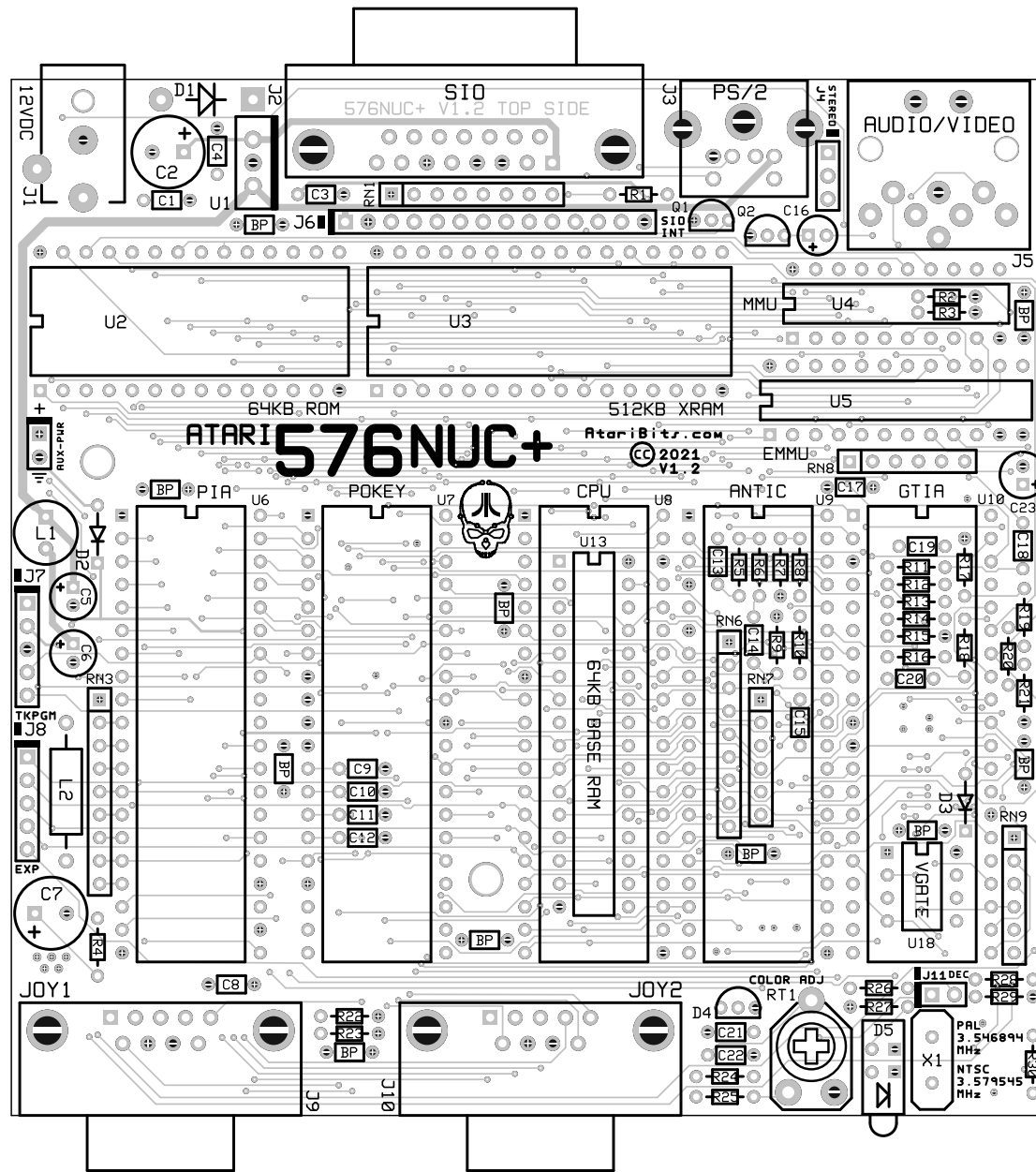
An AtariBits Production

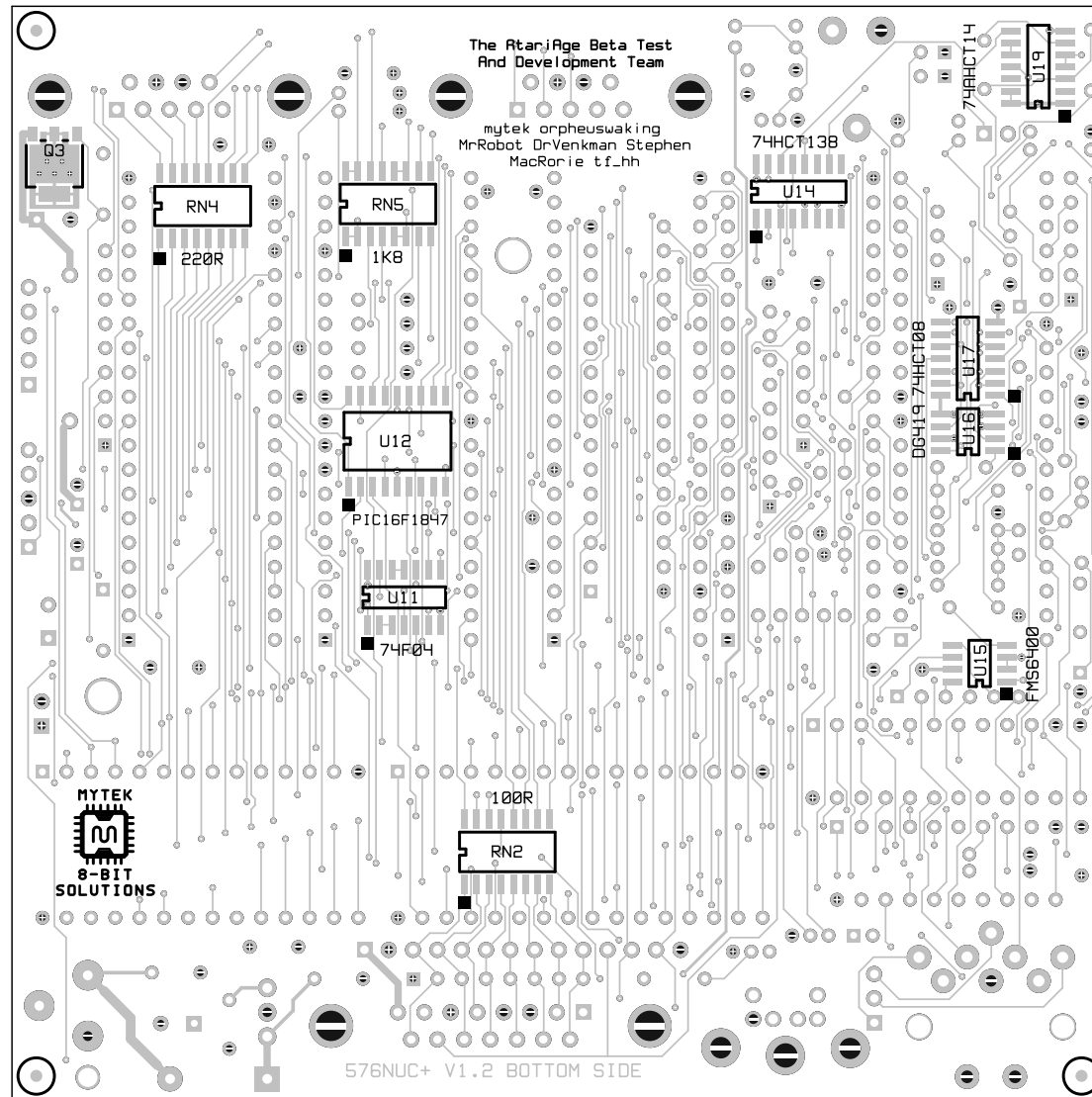
Michael St.Pierre

VERSION 1.2

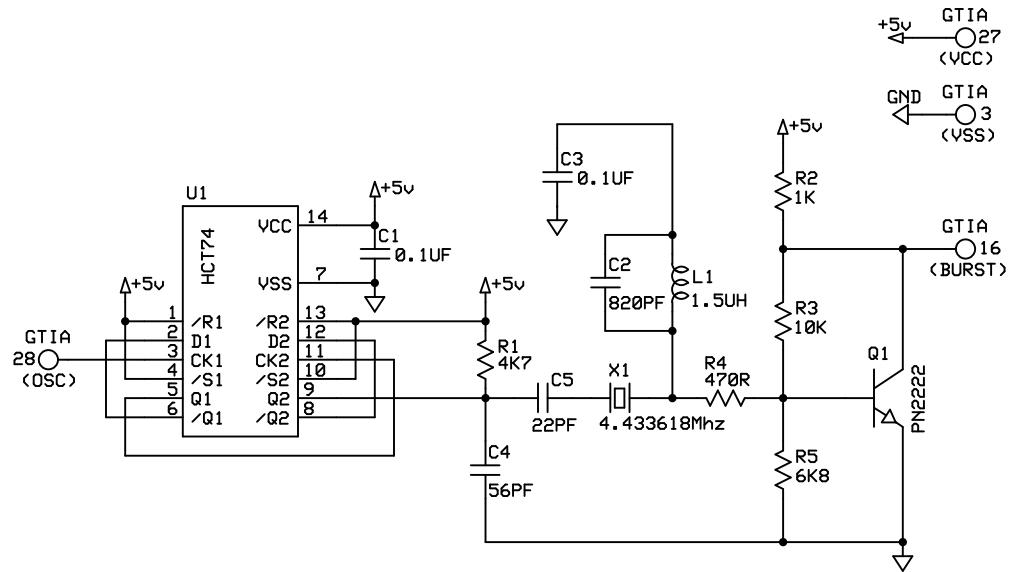
May 30th 2021

SIO





SYNCED PAL COLOR BURST OSCILLATOR GTIA PIGGYBACK



PALBURST - PAL COLOR BOARD

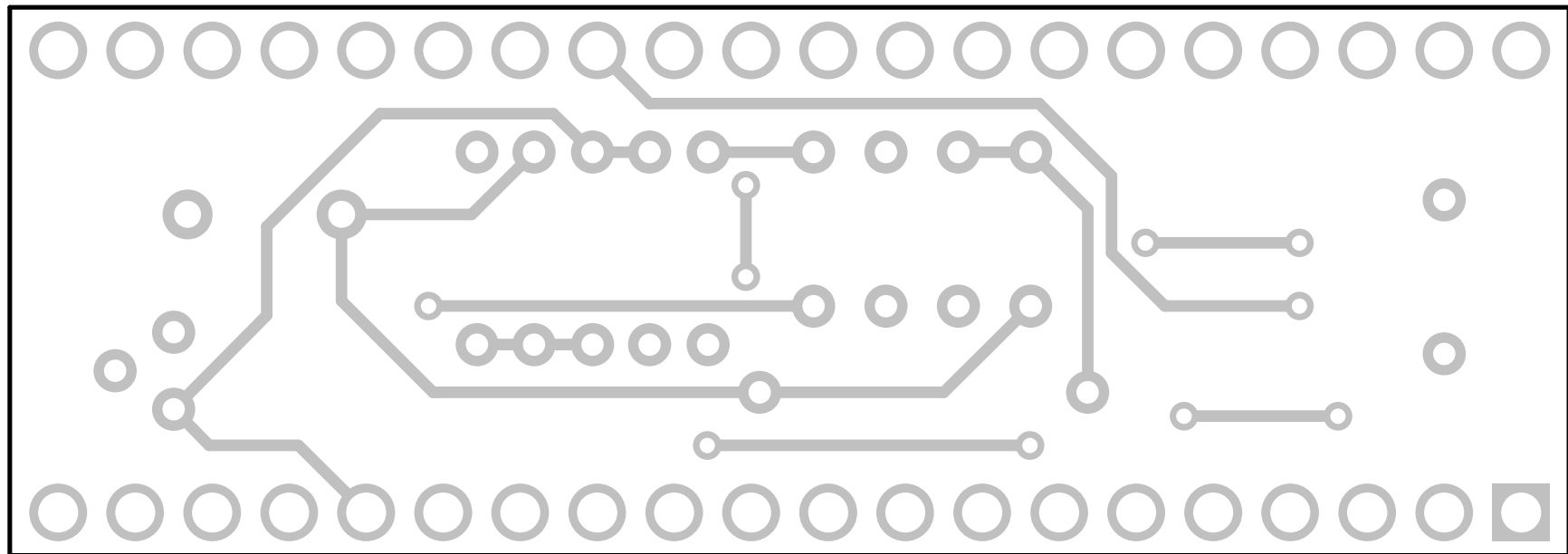
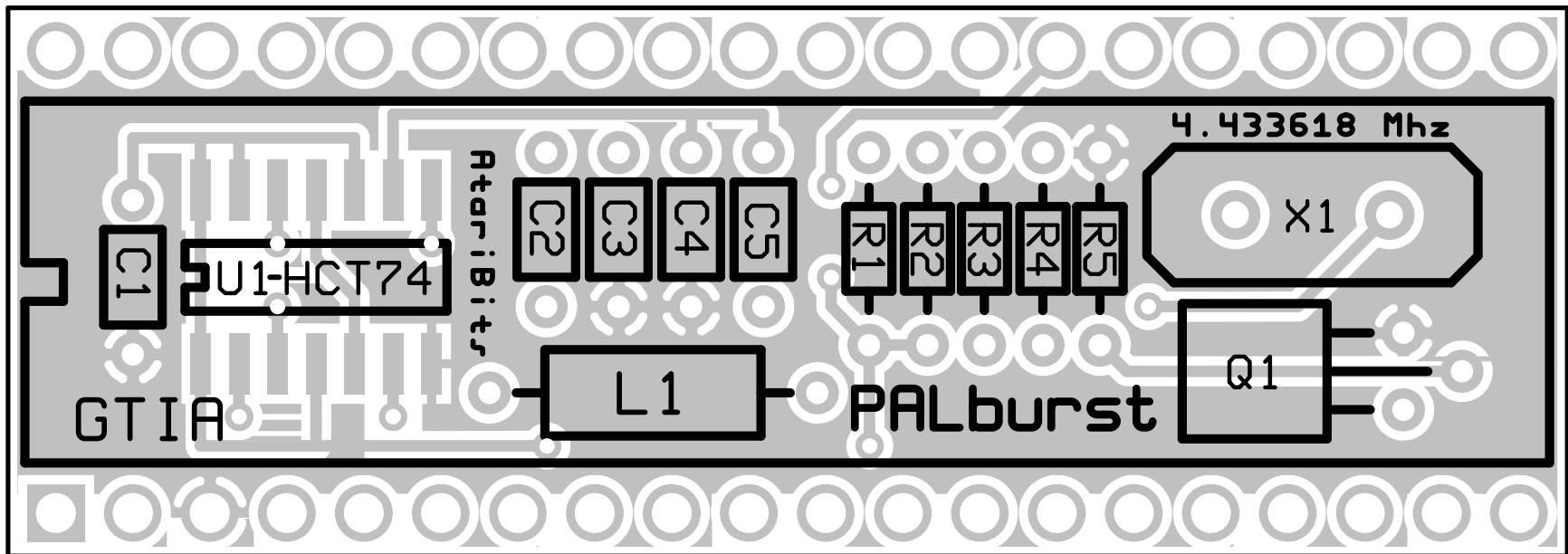
An AtariBits Production

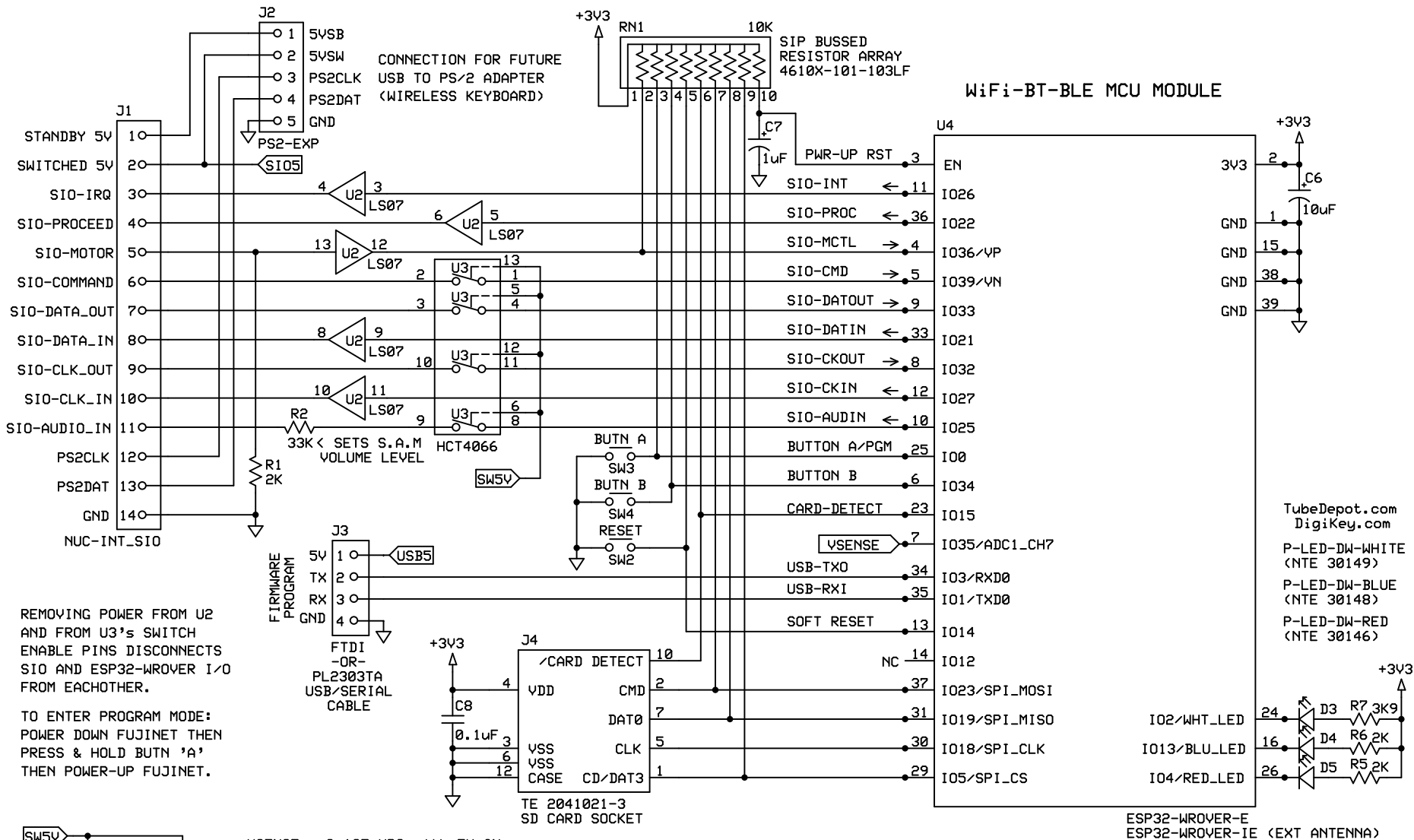
Michael St.Pierre

Rev 1.0

9/06/2020

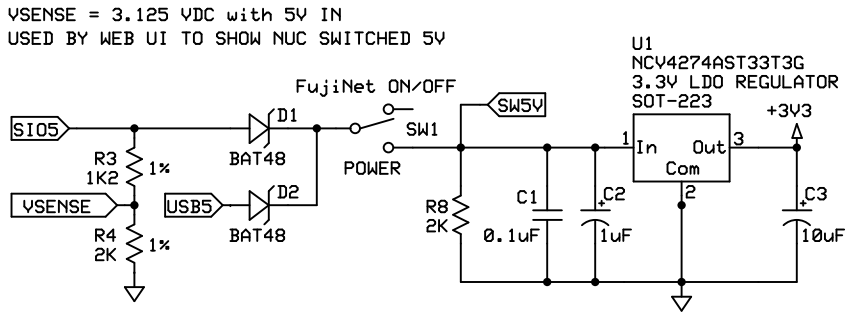
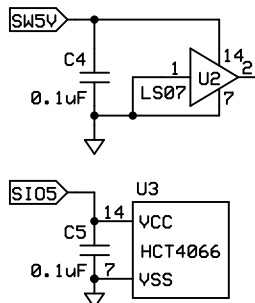
PAL COLOR CLK





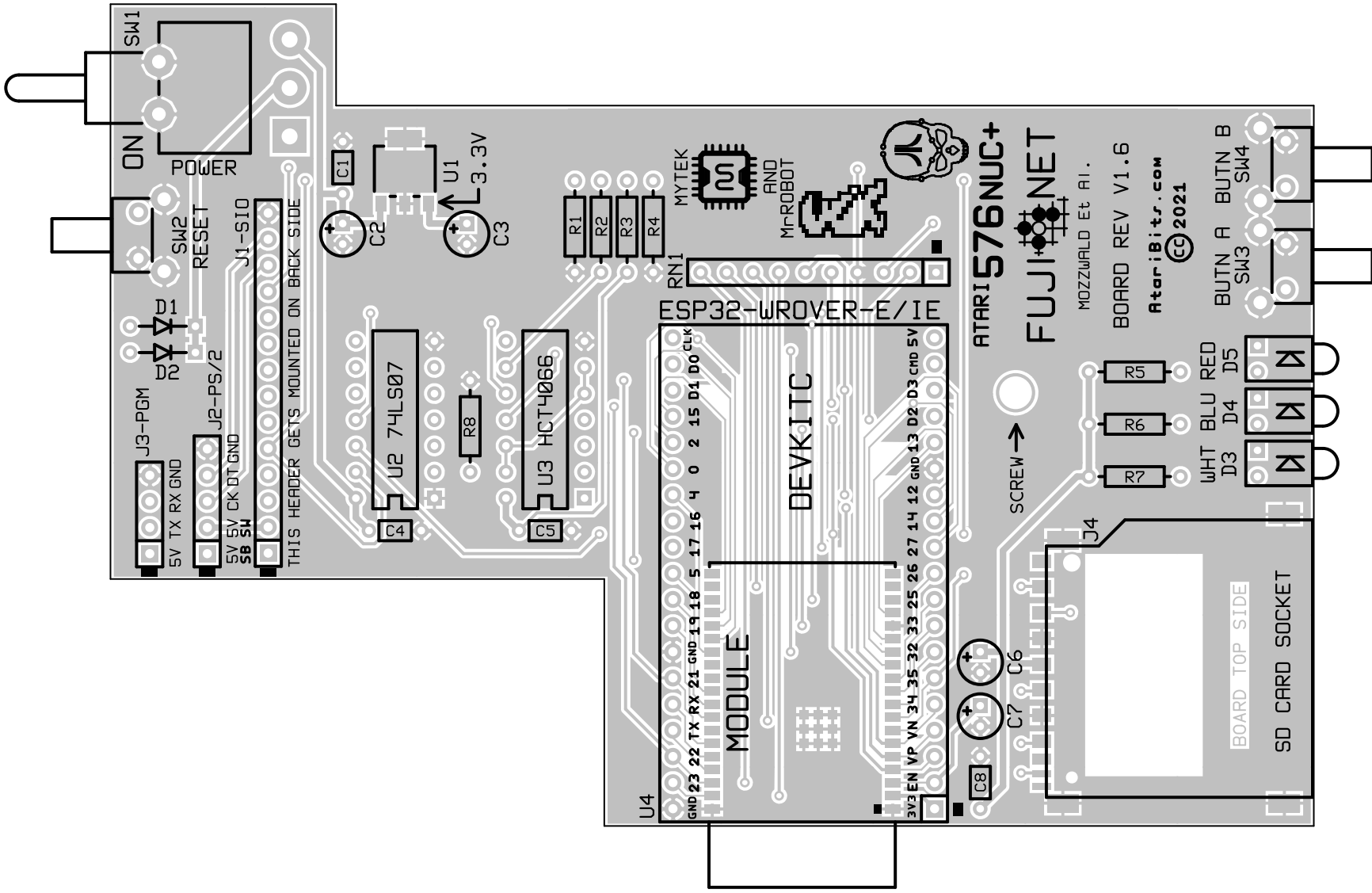
REMOVING POWER FROM U2 AND FROM U3's SWITCH ENABLE PINS DISCONNECTS SIO AND ESP32-WROVER I/O FROM EACHOTHER.

TO ENTER PROGRAM MODE: POWER DOWN FUJINET THEN PRESS & HOLD BUTN 'A' THEN POWER-UP FUJINET.



A Re-Designed Version of mozzwald's FujiNet Hardware for Expansion of the Atari 576NUC+ Motherboard.

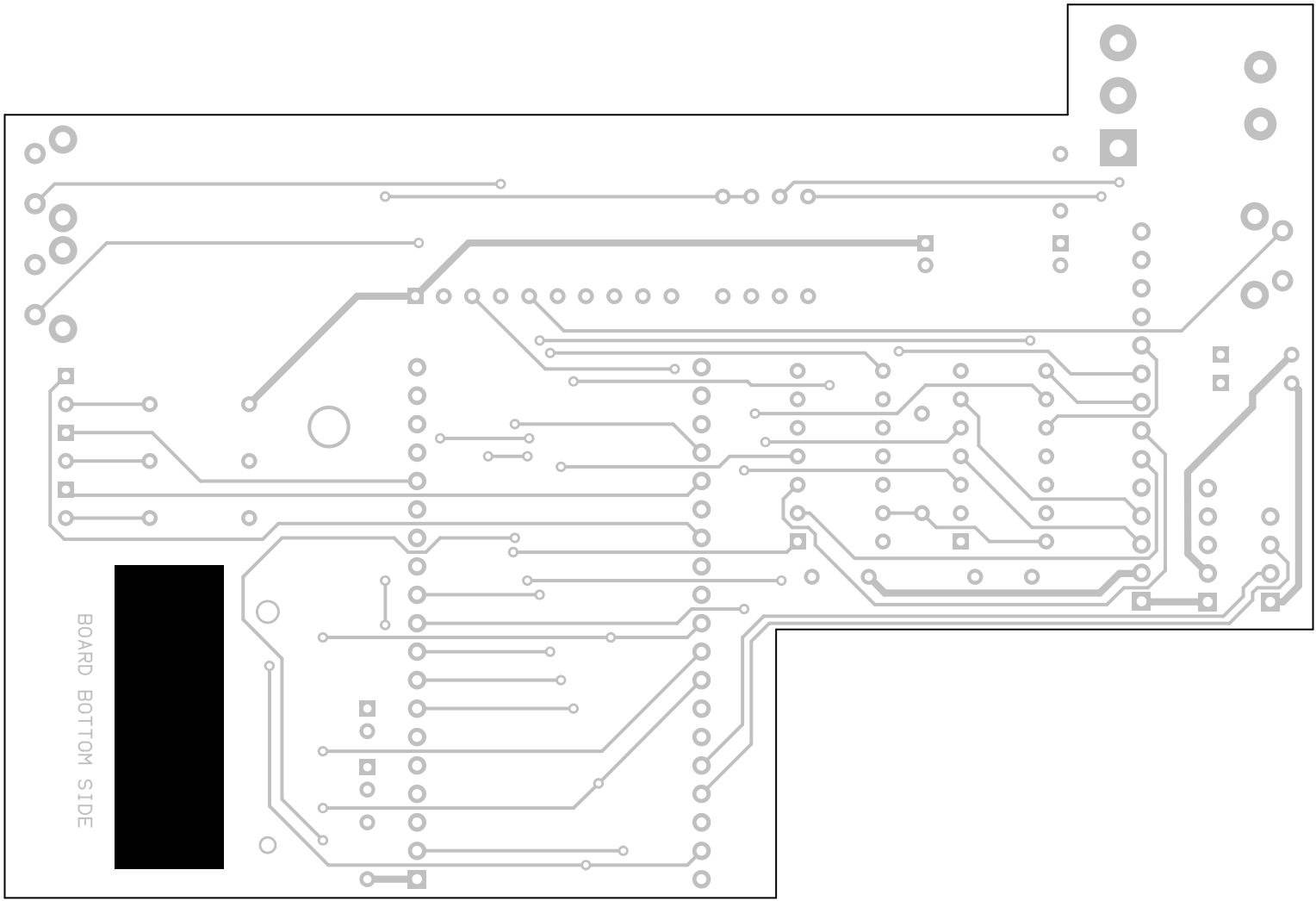
ATARI 576NUC-FUJINET ONLY		
An AtariBits Production		
Michael St.Pierre	v1.6 JULY 27th 2021	NETWORKING



ATARI 576 NUC+
FUJINET
 MOZZWALD Et Al.
 BOARD REV V1.6
 Atari iBistr.com
 © 2021

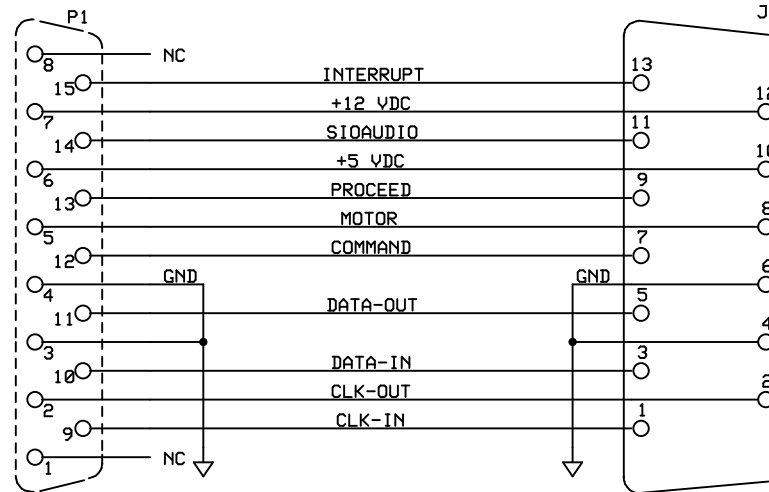
BOARD TOP SIDE
 SD CARD SOCKET

SCREW →



TO: 576NUC+ SIO PORT

STANDARD SIO JACK



RIGHT ANGLE DA-15F
 ASSMANN A-DF 15 A/KG-T4S
 SHOWN FROM REAR VIEW
 (SAME AS FRONT VIEW OF MATING PART)

ATARI SIO2Dsub Adapter

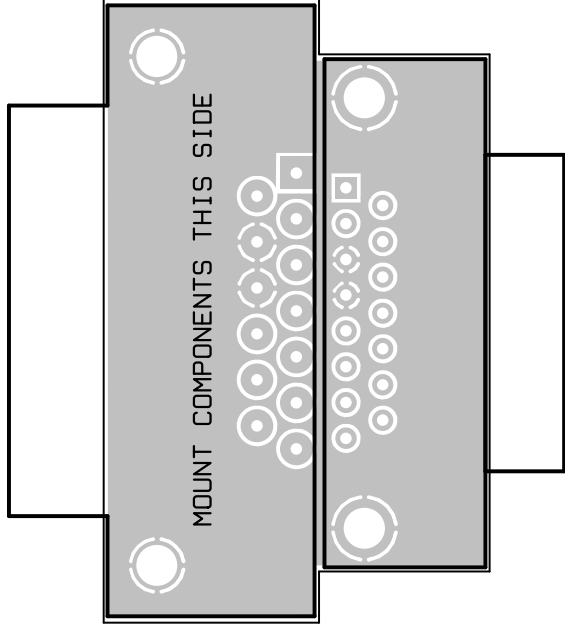
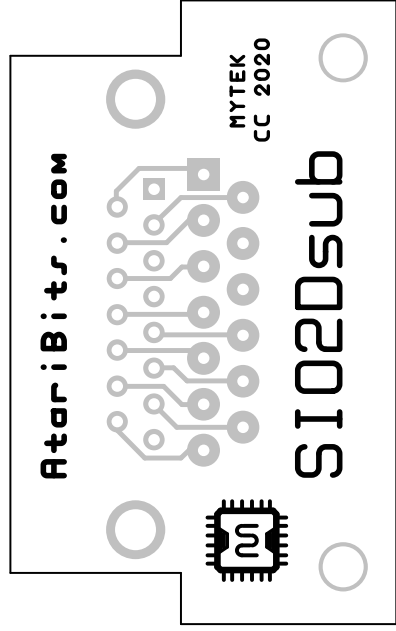
An AtariBits Production

Michael St.Pierre

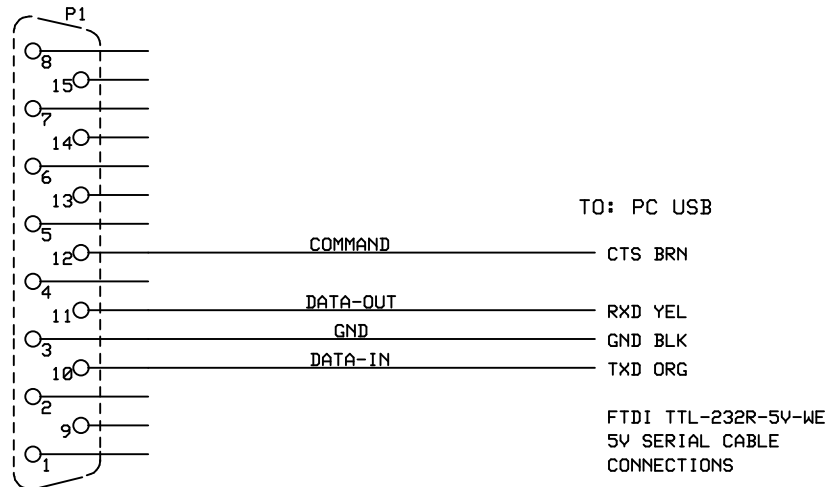
VERSION 1.0

Revised: 6/24/2020

SIO ADAPTER



TO: 576NUC+ SIO PORT



SOLDER CUP DA-15F
Amphenol ICC (FCI) DA15S064TLF

SHOWING WIRE SIDE CONNECTIONS

Dsub CONN BACKSHELL 15POS
NORCOMP 977-015-020R121

ATARI 576NUC+ SIO2PC-USB

An AtariBits Production

Michael St.Pierre

PRELIMINARY

Revised: 6/30/2020

SIO2PC CABLE